

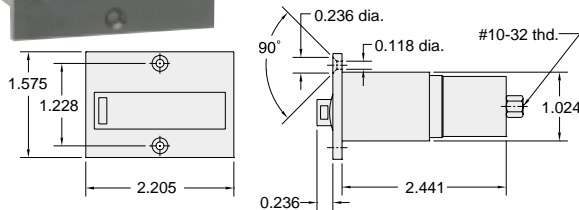


# PALM BUTTONS

## Pneumatic Totalizing Counter



This unit is a 6-digit pneumatic totalizing counter, designed for panel mounting. Its operation is identical to that of the PT-1SM, but in a different physical arrangement. Both units may be reset manually or by a pneumatic impulse. Operating pressure range is extremely wide (30 to 120 psig).



**Display:** 6 figures, numerals 0.080" to 0.160"

**Medium:** filtered compressed air containing no oil

**Reset:** Manual push button and pneumatic spring return

**Input Pressure:** 30-120 psig

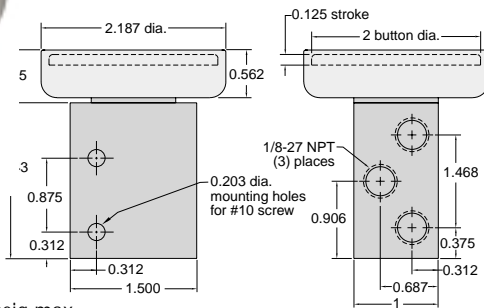
**Mounting:** Panel mount

Part No.	Description
PT-2PM	Pneumatic Totalizing Counter, 6-Digit

## 3-Way Poppet Palm Button Valves



3-Way Poppet (MAV-3C) Normally Closed - Bubble Tight Cartridge Valve (- replaceable)



**Medium:** Air  
**Stem Travel:** 1/8"

**Input Pressure:** 100 psig max.

**Air Flow:** 3.5 SCFM @150 psig; 6.0 SCFM @100 psig

**Bleed:** 0.1 SCFM @ 100 psig

**Force to Actuate:** 1.75 lb. manual

**Ports:** 1/8" NPT - exhaust may be muffled or piped away but NOT restricted

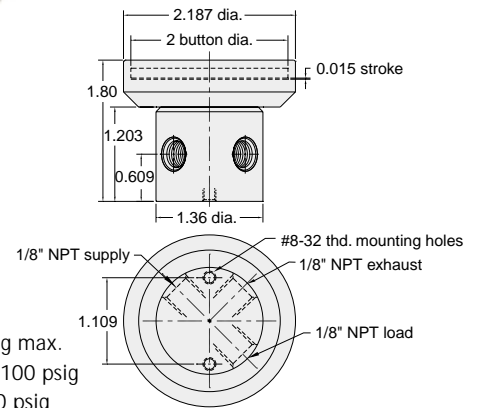
**Mounting:** Mounting holes provided; optional Bracket Kit #12959 provides additional mounting versatility; valve available with anodized color buttons

Part No.	Description
PB-1-RD	3-Way Poppet Bubble Valve, Red
PB-1-GN	3-Way Poppet Bubble Valve, Green
PB-1-BK	3-Way Poppet Bubble Valve, Black
12959	Bracket Kit

## Low Force 3-Way Palm Button Valves



3-way low force poppet valve; Normally closed; depressing button blocks the sensing port causing rapid valve opening



**Medium:** Air

**Input Pressure:** 100 psig max.

**Air Flow:** 22 SCFM - @100 psig

**Bleed:** 0.8 SCFM @ 100 psig

**Force to Actuate:** 1 oz. manual

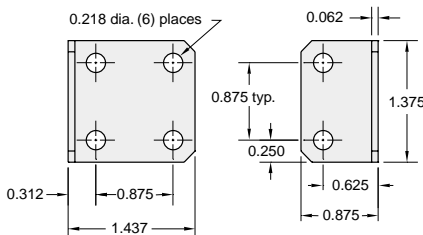
**Mounting:** Mounting holes provided; optional Bracket Kit #2010-50 provides additional mounting versatility; valve available with anodized color buttons

Part No.	Description
PB-2-RD	Low Force 3-Way Poppet Valve, Red
PB-2-GN	Low Force 3-Way Poppet Valve, Green
PB-2-BK	Low Force 3-Way Poppet Valve, Black
2010-50	Bracket Kit

## 90° Mounting Bracket



90° angle, heavy duty versatile Mounting Bracket for Clippard palm button valves



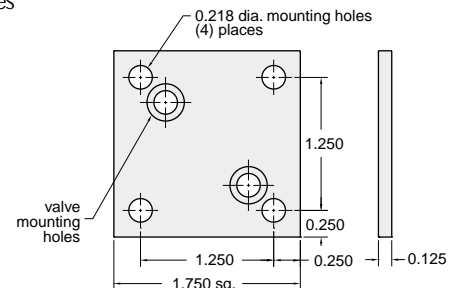
**Mounting:** Six 7/32" dia. holes on 1/8" centers for attaching valves to bracket  
**Construction:** Stamped from 1/8" thick steel, zinc plated

Part No.	Description
12959	90° Mounting Bracket

## Mounting Bracket



Bracket to mount 2010, 2011-1, 2012 and 2013 valves



Black oxide finish, two mounting screws furnished

Part No.	Description
2010-050	Mounting Bracket